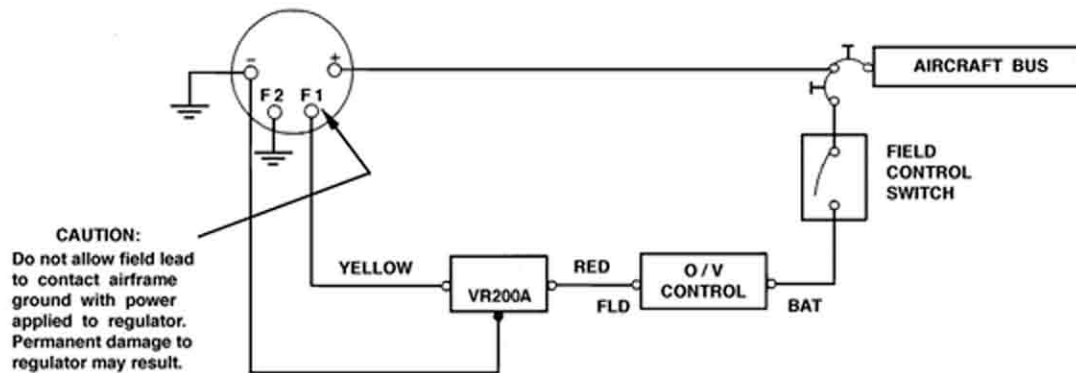


VR200A



. 3 lb Max

Lamar Technologies LLC  
 14900 40th Ave NE  
 Marysville, WA 98271  
 360-651-6666

RECOMMENDED INTERFACE WIRING:

VR200A VOLTAGE REGULATOR 14V

[www.lamartech.com/electrodelta/](http://www.lamartech.com/electrodelta/)

**Electrodelta**<sup>TM</sup>

by **Lamar**  
 Technologies LLC

VR200A.A Data Sheet