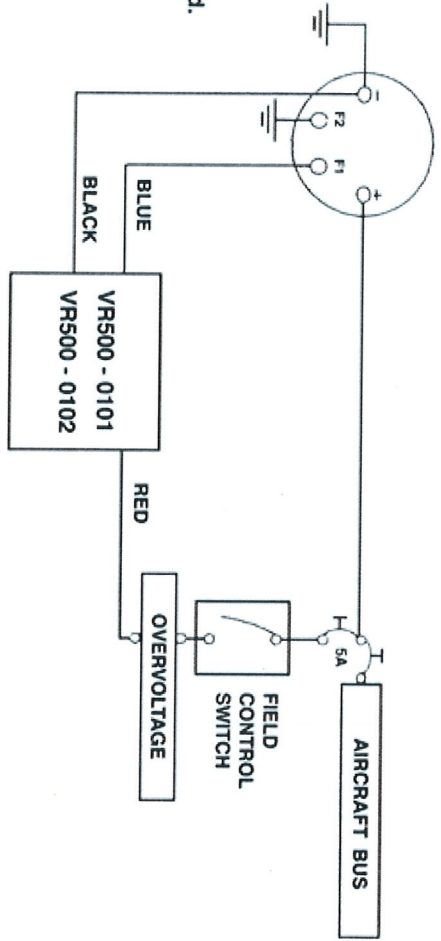


VR500-0101 VOLTAGE REGULATOR (27.7 V)  
 VR500-0102 VOLTAGE REGULATOR (28.8 V)

**CAUTION**  
 Do not allow field lead  
 to contact airframe ground.  
 Operational loss of the  
 alternator will result.

NOTE:  
 Weight is .5 pound (.227 kg).



**RECOMMENDED INTERFACE WIRING:**

VR500-0101 VOLTAGE REGULATOR (27.7 V)  
 VR500-0102 VOLTAGE REGULATOR (28.8 V)

ORIGINAL

Lamar Technologies LLC  
 14900 40th Avenue NE  
 Marysville, WA 98271  
 360-651-6666

[www.lamartech.com/electrodelta/](http://www.lamartech.com/electrodelta/)

**Electrodelta™**  
 by Lamar Technologies LLC