

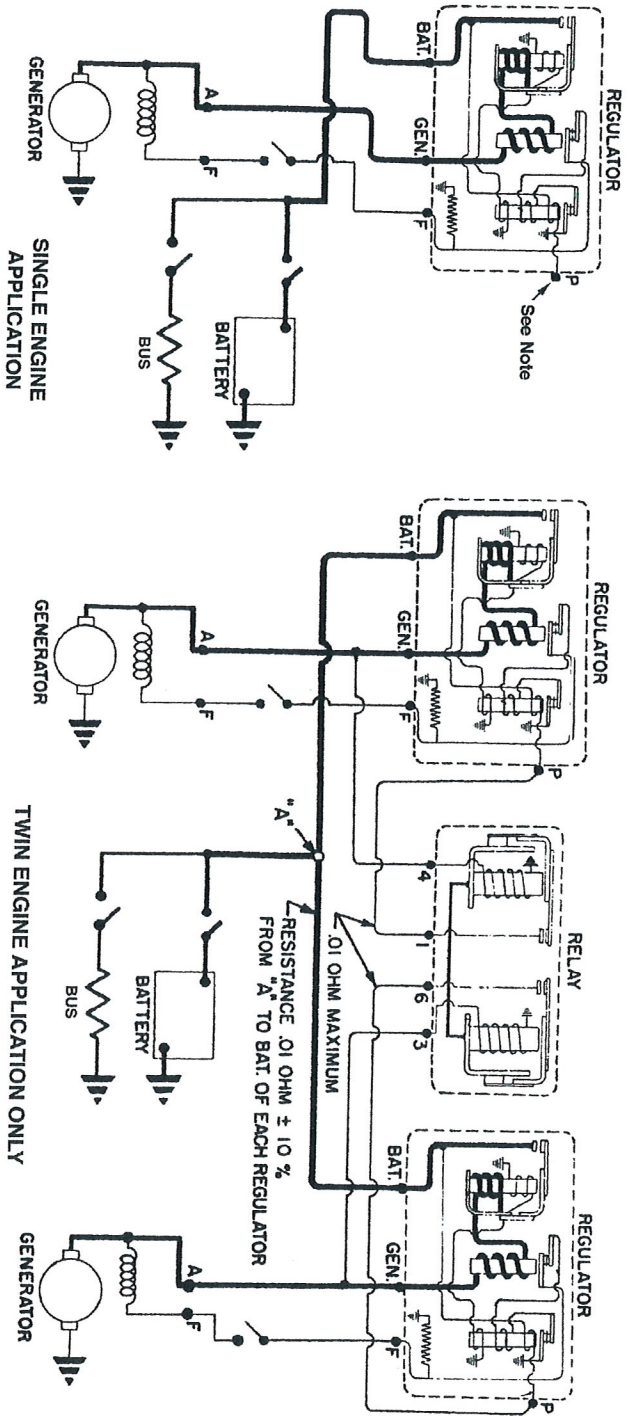
NOTE: Three (3) each, P/N VB1494 vibration isolators are supplied with this VR300 voltage regulator. To insure proper operation and prolong the service life of the VR300, the VB1494 mounting lug vibration isolators must be installed. Mounting screws should not be overtightened, which would cause the brass ferrules to be crushed. Unequal torquing of the three mounting screws may cause base plate distortion and component strain. Make sure the ground lug strap has a good electrical connection to ground. Weight is 1.3 pounds (.590 kg).

VR300-28-25/40

28V

CAUTION:

VR300 - 28 Series All Paralleling Units
The terminal marked GRD is not a ground terminal. It should be utilized in a parallel function only. It must be connected to the corresponding tab of a paralleling relay designed especially for this purpose. Grounding the GRD terminal WILL result in the catastrophic failure of the voltage regulator.



ORIGINAL

Electrodelta™

by **Lamar Technologies LLC**

Lamar Technologies LLC
14900 40th Avenue NE
Marysville, WA 98271
360-651-6666

www.lamartech.com/electrodelta/

VR300-28-25, 40.A Data Sheet