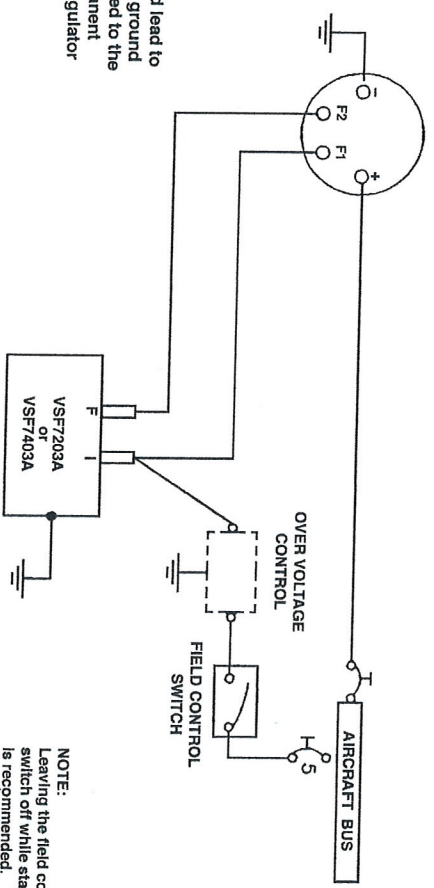


VSF7203A (14V)
VSF7403A (28V)

CAUTION
Do not allow field lead to contact airframe ground with power applied to the regulator. Permanent damage to the regulator may result.

NOTE:
WEIGHT .6 LBS



NOTE:
Leaving the field control switch off while starting is recommended.

RECOMMENDED INTERFACE WIRING:

- VSF7203A VOLTAGE REGULATOR (14V)
- VSF7403A VOLTAGE REGULATOR (28V)

ORIGINAL

Electrodelta™

by **Lamar Technologies LLC**

www.lamartech.com/electrodelta/ VSF7203A&VSF7403A.A Data Sheet

Lamar Technologies LLC
14900 40th Ave. NE
Marysville, WA 98271
360-651-6666