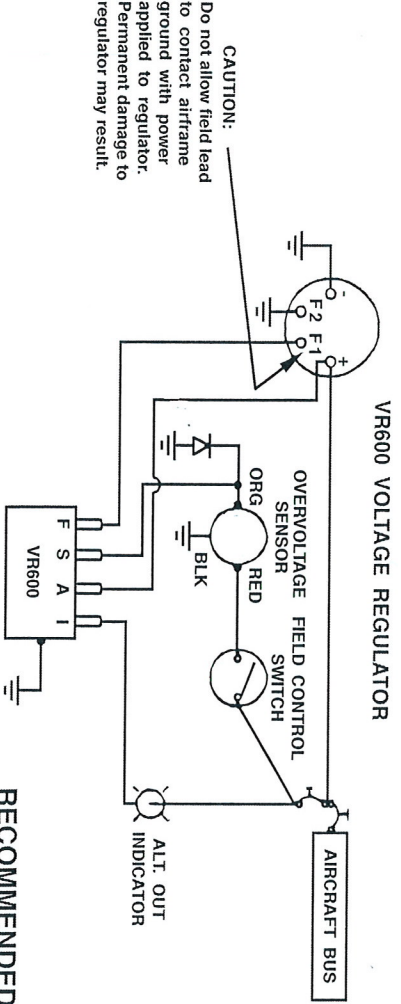


VR600

NOTE: The VR600 is a (two Unit) solid state voltage regulator and field relay.

Weight is .6 lbs



RECOMMENDED INTERFACE WIRING:

VR600 VOLTAGE REGULATOR

ORIGINAL

**Electrodelta**<sup>™</sup>

by **Lamar**  
Technologies LLC

Lamar Technologies LLC  
14900 40th Avenue NW  
Marysville, WA 98271  
360-651-6666

[www.lamartech.com/electrodelta/](http://www.lamartech.com/electrodelta/)

VR600.A Data Sheet