

TITLE

ELECTRICAL POWER - CONTACTOR REPLACEMENT

EFFECTIVITY

All Cessna Single Engine airplanes equipped with 12-volt and 24-volt contactors listed in this service letter.

REASON

To provide spares replacement for obsolete 12-volt and 24-volt contactors.

DESCRIPTION

To provide parts and instructions for replacement of obsolete 12-volt and 24-volt contactors with Lamar contactors.

COMPLIANCE

OPTIONAL. This service letter can be accomplished at the discretion of the owner.

REFERENCES

Applicable Cessna Airplane Maintenance/Service Manuals and Illustrated Parts Catalogs

Cessna Service Kit SK210-173A (or latest revision), 28-Volt Starter Contactor Replacement

Lamar Technologies LLC Service Information Letter LSI-017 Revision A (or latest Cessna-approved revision), Replacing the Cessna Contactors

Lamar Technologies LLC Service Information Letter LSI-018 Revision A (or latest Cessna-approved revision), Replacing the Cessna Contactors

PUBLICATIONS AFFECTED

Applicable Cessna Airplane Maintenance/Service Manuals and Illustrated Parts Catalogs

ACCOMPLISHMENT INSTRUCTIONS

Applicable Cessna Service Kit and/or Lamar Technologies Service Information Letter installation instructions are included with the contactor / contactor kits listed in the Material Information Section of this service letter when they are shipped from Cessna Service Parts and Programs.

April 4, 2013

SEL-24-02
Page 1 of 2

Cessna Aircraft Company, Cessna Customer Service, P.O. Box 7706, Wichita, KS 67277, U.S.A. 1-316-517-5800, Fax 1-316-517-7271,
Email: customer care@cessna.textron.com

This document contains technical data and is subject to U.S. export regulations. This information has been exported from the United States in accordance with export administration regulations. Diversion contrary to U.S. law is prohibited. ECCN: 9A991

MATERIAL INFORMATION

NEW P/N	INSTALLATION INSTRUC- TIONS	KEY WORD	OLD P/N	INSTRUCTIONS/ DISPOSITION
P52-0016	SK210-173A	Contacto Kit, 24V Intermittent Duty	S1577-1, S1577A1, 8781-8	Discard
X61-0030	Not Required/ Direct Replacement	Contacto, 12V Intermittent Duty	S2103-1, S2103A1, 111-139D	Discard
P52-0033	LSI-018, Rev A	Contacto Kit, 12V Intermittent Duty	S1991-1, S1991A1, 111-138D, SAW4204-1, SAW4206-1	Discard
P52-0034	LSI-018, Rev A	Contacto Kit, 12V Continuous Duty	S1660-1, S1660A1, 8781-10	Discard
P52-0034-1	LSI-017, Rev A	Contacto Kit, 12V Continuous Duty	S1579-1, S1579-2, S1579A2, 111-140D	Discard
P52-0035-1	LSI-017, Rev A	Contacto Kit, 24V Continuous Duty	S1580-1, S1580A1, 8781-9	Discard

TITLE

ELECTRICAL POWER - CONTACTOR REPLACEMENT

TO:

Cessna Cessna Single Engine Classic Owner

REASON

This owner advisory is to inform you that SEL-24-02 has been issued.

SEL-24-02 provides provide parts and instructions for replacement of obsolete 12-volt and 24-volt contactors with Lamar contactors.

COMPLIANCE

OPTIONAL. This service letter can be accomplished at the discretion of the owner.

LABOR HOURS

Not applicable

WARRANTY

Not Applicable

NOTE: As a convenience, service documents are now available online to all our customers through a simple, free-of-charge registration process. If you would like to sign up, please visit the "Customer Access" link at www.cessnasupport.com to register.

This owner advisory will not be mailed to airplane owners. It is provided as an attachment to this service letter.

April 4, 2013

SEL-24-02
Page 1 of 1

Cessna Aircraft Company, Cessna Customer Service, P.O. Box 7706, Wichita, KS 67277, U.S.A. 1-316-517-5800, Fax 1-316-517-7271,
Email: customer care@cessna.textron.com

This document contains technical data and is subject to U.S. export regulations. This information has been exported from the United States in accordance with export administration regulations. Diversion contrary to U.S. law is prohibited. ECCN: 9A991

TITLE

28-VOLT STARTER CONTACTOR REPLACEMENT

EFFECTIVITY

<u>Model</u>	<u>Year</u>	<u>Serial Numbers</u>
152	1978	15279406 thru 15282031
152	1979	15282032 thru 15283591
A152	1978	A1520735 thru A1520808
A152	1979	A1520809 thru A1520878
172N	1978	17269310 thru 17270049
172N	1978	17270051 thru 17271034
172N		17261578
172N	1979	17271035 thru 17272884
R172E (T41)	1967 thru 1968	R172-0001 thru R172-0335
R172F (T41)	1969	R172-0336 thru R172-0409
R172G (T41)	1969 thru 1970	R1720410 thru R1720444
R172H (T41)	1971	R1720445 thru R1720494
R172H (T41)	1972	R1720495 thru R1720546
R172H (T41)	1973 thru 1976	R1720547 thru R1720620
R172K	1978	R1722725 thru R1722929
R172K	1979	R1722930 thru R1723199
177RG	1978	177RG1267 thru 177RG1366
177RG		177RG0419
180K	1978	18052906 thru 18053000
180K	1979	18053001 thru 18053082
182Q	1978	18265966 thru 18266590
182Q	1979	18266591 thru 18266977
R182	1978	R18200002 thru R18200583
R182/TR182	1979	R18200584 thru R18201089
A185F	1978	18503459 thru 18503683
A185F	1979	18503684 thru 18503846

October 1, 2009

Original Issue: April 17, 2006

Page 1 of 5

To obtain satisfactory results, procedures specified in this publication must be accomplished in accordance with accepted methods and prevailing government regulations. Cessna Aircraft Company cannot be responsible for the quality of work performed in accomplishing the requirements of this publication.

SERVICE KIT

SK210-173A

A188B	1976	18802349 thru 18802745
A188B	1977	18802746 thru 18803046
A188B	1978	18803047 thru 18803296
A188B	1979	18803297 thru 18803472
A188B	1979	18803297T thru 18803472T
FR172K	1978	FR17200621 thru FR17200630
FR172K	1979	FR17200631 thru FR17200655
U206F/TU206F	1974	U20602200 thru U20602579
U206F/TU206F	1975	U20602580 thru U20602588
U206F/TU206F	1975	U20602590 thru U20603020
U206F/TU206F	1976	U20603021 thru U20603521
U206G/TU206G	1977	U20603522 thru U20604074
U206G/TU206G	1978	U20604075 thru U20604649
U206G/TU206G	1979	U20604650 thru U20605080
U206G/TU206G		U20602589
207/T207	1974	20700228 thru 20700267
207/T207	1975	20700268 thru 20700314
207/T207	1976	20700315 thru 20700362
207A/T207A	1977	20700363 thru 20700414
207A/T207A	1978	20700415 thru 20700482
207A/T207A	1979	20700483 thru 20700538
210L/T210L	1972	21059503 thru 21059719
210L/T210L	1973	21059720 thru 21060089
210L/T210L	1974	21060090 thru 21060539
210L/T210L	1975	21060540 thru 21061039
210L/T210L	1976	21061040 thru 21061041
210L/T210L	1976	21061043 thru 21061573
210M/T210M	1977	21061574 thru 21062273
210M/T210M	1978	21062274 thru 21062954
210M/T210M	1978	21061042
210N/T210N	1979	21062955 thru 21063476
P210N	1978	P21000001 thru P21000150
P210N	1979	P21000151 thru P21000344
F152	1978	F15201429 thru F15201528
FA152	1978	FA1520337 thru FA1520347
FA152	1979	FA1520348 thru FA1520357
F172N	1978	F17201640 thru F17201749

SERVICE KIT

SK210-173A

F172N	1979	F17201750 thru F17201909
F182Q	1978	F18200065 thru F18200094
F182Q	1979	F18200095 thru F18200129
FR182	1978	FR18200001 thru FR18200020
FR182	1979	FR18200021 thru FR18200045
FR182	1980	FR18200046 thru FR18200055

DESCRIPTION

To provide a spares replacement for the 28-volt starter contactor.

APPROVAL

FAA approval has been obtained on technical data in this publication that affects airplane type design.

CHANGE IN WEIGHT AND BALANCE

Negligible

MATERIAL INFORMATION

The part below covers installation for one airplane.

NEW P/N	QUANTITY	DESCRIPTION	OLD P/N	DISPOSITION
SK210-173A	1	Kit, consisting of the following parts:		
P52-0016	1	28-Volt Starter Contactor	S1577-1, S1577A1, 8781-8	Discard
	1	Instructions		

ACCOMPLISHMENT INSTRUCTIONS

1. Prepare the airplane for maintenance.
 - A. Make sure that all switches are in the OFF/NORM position.
 - B. Remove the upper engine cowl.
 - C. Disconnect electrical power from the airplane.
 - (1) Disconnect the airplane battery.
 - (2) Disconnect external electrical power.
 - D. Attach maintenance warning tags to the battery and external power receptacle that have **"DO NOT CONNECT ELECTRICAL POWER - MAINTENANCE IN PROGRESS"** written on them.

SERVICE KIT

SK210-173A

CAUTION: Do not use the P52-0016 28-Volt Starter Contactor to replace contactors in the airplane other than those in the starter system. If you replace a contactor other than a starter contactor with the P52-0016 28-Volt Starter Contactor, damage to the equipment will occur.

2. Get access to the 28-volt starter contactors on the left side of the forward engine firewall. (Refer to the applicable sections of the Service Manual.)

NOTE: To find the contactors, follow the starter power cable from the starter to the contactor.

3. (Refer to Figure 1.) Remove and discard the 28-volt starter contactor. Keep the hardware that attaches the starter contactor to the firewall. (Refer to the applicable sections of the Service Manual.)
4. With the kept attachment hardware, install the new P52-0016 28-Volt Starter Contactor to the firewall. (Refer to the applicable sections of the Service Manual.)

CAUTION: Make sure that you install the wires to the same terminal studs as shown in Figure 1. If you install the wires in a different configuration than the one shown in Figure 1, damage to the system may occur.

- A. As you install the contactor, install the loose end of the ground wire that is attached to the contactor under one of the contactor mount bolts to provide a ground for the contactor coil.

CAUTION: If the airplane has a diode wire, do not replace the diode wire with a standard ground wire. If you replace the diode wire with a standard ground wire, damage to the system may occur.

CAUTION: If the airplane has a diode wire, do not install the diode wire on the same terminal stud with the ground wire. If you install the diode wire and the ground stud wire on the same terminal stud, damage to the system may occur.

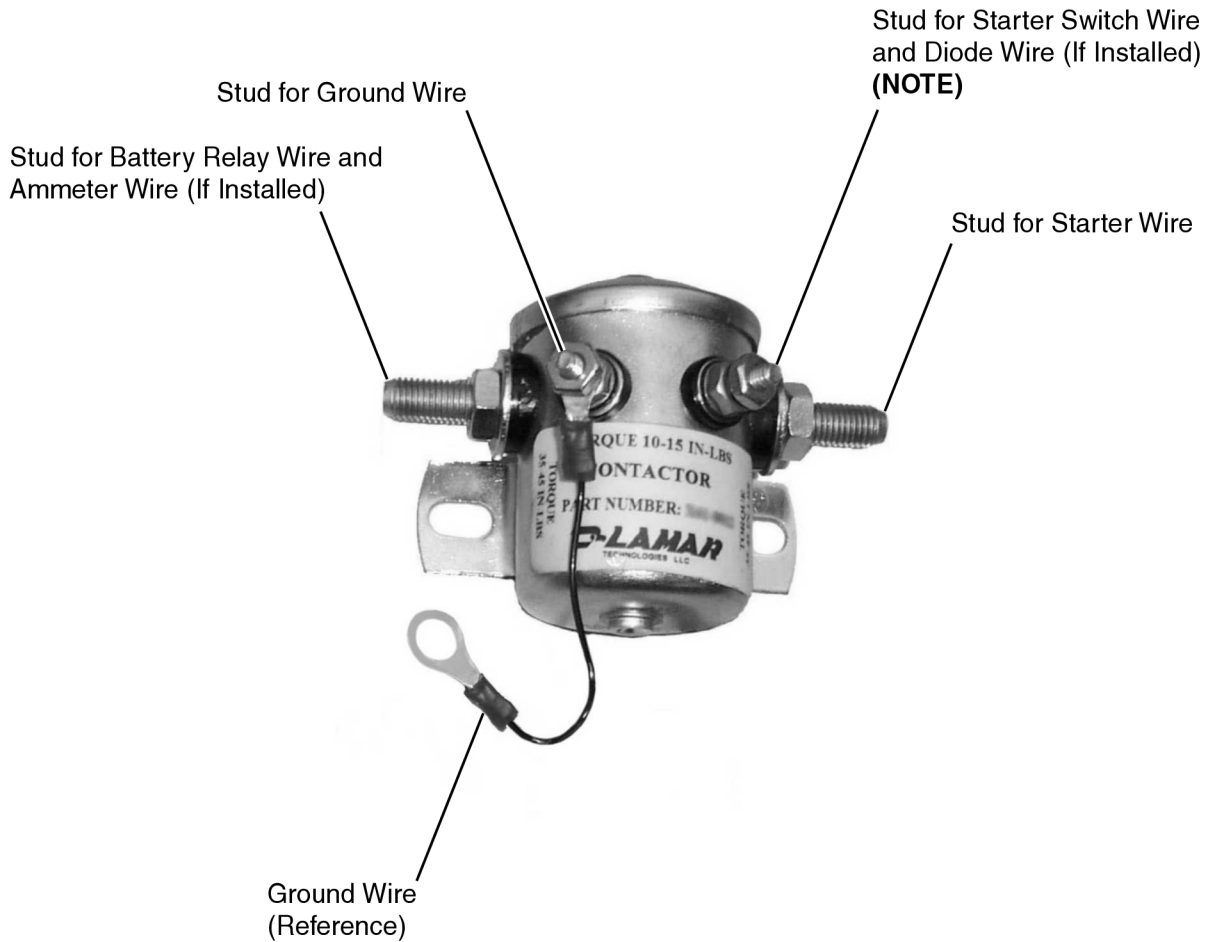
- B. If the airplane has a diode wire, install it on the new starter contactor. Install it on a different terminal stud than the one on which the ground wire is installed.

5. Install the upper engine cowl.
6. Remove maintenance warning tags and connect the airplane battery.
7. Make an entry in the airplane logbook stating this service kit has been installed.

SERVICE KIT

SK210-173A

B5999



NOTE: Do not install the ground wire to this stud.

Figure 1. 28-Volt Starter Contactor Replacement (Sheet 1)

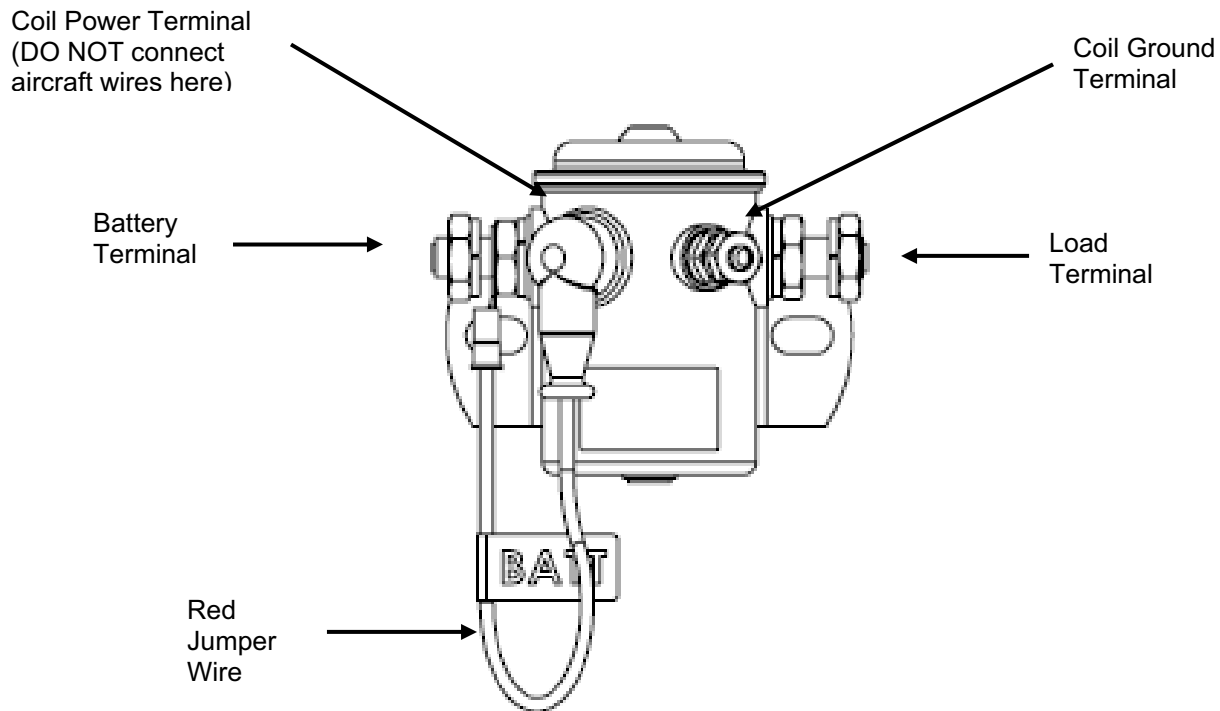
SUBJECT: This letter is to provide wiring installation instructions for Lamar P/N P52-0034-1 (12V Contactor kit) and Lamar P/N P52-0035-1 (24V Contactor kit) as a replacement for the Cessna P/N S1579 (12V) and S1580 (24V) contactors. These instructions shall be printed and distributed in the packaging with each contactor kit.

REASON: To provide clarification of contactor terminal definition for installing on aircraft.

INFORMATION: Reference Figure shown below. The Lamar contactor kit will come with a red jumper wire installed from the Battery Terminal to the Coil Power Terminal. This jumper shall convert a 4 terminal contactor for replacement of a 3 terminal contactor. 3 terminal contactors (S1579 and S1580) have this connection inside the contactor without a coil power terminal. Aircraft wiring must control (on or off) the contactor coil through the Coil Ground Terminal and not have any wires (except jumper) attached to the Coil Power Terminal.

For technical support call Cessna Customer Care at 316-517-5800

FIGURE:



SUBJECT: This letter is to provide wiring installation instructions for Lamar P/N P52-0033 (12V Intermittent Duty Contactor kit) and Lamar P/N P52-0034 (12V Continuous Duty Contactor kit) as a replacement for the Cessna P/N S1991 (Intermittent Duty) and S1660 (Continuous Duty) contactors. These instructions shall be printed and distributed in the packaging with each contactor kit.

REASON: To provide clarification of contactor terminal definition for installing on aircraft.

INFORMATION: Reference Figure shown below. The Lamar contactor kit will come with a black jumper wire with one end installed on the Coil Ground Terminal. This jumper when connected to the airframe ground (as shown) shall convert a 4 terminal contactor for replacement of a 3 terminal contactor. 3 terminal contactors (S1991 and S1660) have this connection inside the contactor without a Coil Ground Terminal. Aircraft wiring must control (on or off) the contactor coil through the Coil Power Terminal and not have any wires (except jumper) attached to the Coil Ground Terminal.

For technical support call Cessna Customer Care at 316-517-5800

FIGURE:

